



Solid State



CFP

range

2 to 8 zone EN54
conventional fire alarm panels



CFP

range

Fully compliant with EN54 parts 2 and 4, the CFP conventional fire alarm panel offers an array of user and installer friendly features.

Supplied in an attractive flush or surface mountable plastic enclosure, 2, 4 and 8 zone versions are available, each featuring four conventional sounder circuits, class change and alert inputs, two fire outputs, a fault output and a reset output.

A wide range of engineering functions are also provided including (depending on the model purchased) selectable zone delays, coincidence and non-latching zone facilities. Comprehensive test and fault finding facilities are also provided on all variants.



LPCB Ref. 176a
to BS EN 54 pts 2 & 4

In addition to the standard and economy CFP panels, three LPCB approved versions are available. The LPCB stamp of approval is recognised worldwide and demonstrates that the CFP has been tested and certified as being compliant with EN54 parts 2 and 4 by the Loss Prevention Certification Board.

CFP Features

- ▶ Fully compliant with EN54 Parts 2 and 4
- ▶ Available with 2, 4 or 8 zone circuits
- ▶ Four conventional sounder circuits
- ▶ Standard, economy and LPCB approved versions available
- ▶ Installer-friendly design accommodates easy first fix and straightforward maintenance
- ▶ Attractive flush or surface mountable plastic lid and enclosure
- ▶ Auxiliary remote, auxiliary fire, fault and reset outputs
- ▶ 'Class change' and alert inputs
- ▶ Low quiescent current
- ▶ Intuitive user-friendly interface
- ▶ Multiple indicators
- ▶ End of line units included (one per zone)
- ▶ Optional keyswitch or push button access code entry to Access Levels 2 and 3
- ▶ Integral 1.5A switch mode PSU
- ▶ Detector and sounder circuits share common negative allowing straightforward three-wire retro-installation
- ▶ Ancillary connections provided for up to eight two-wire repeaters (one CFP761 network driver card required per system) and optional CFP relay boards. Ancillary connections are not provided on CFP economy panels.
- ▶ Wide range of engineering functions including (dependent on model purchased) zone test, coincidence, zone delay and non-latching zones. See chart below for details.

Which CFP?	Zone delay facility	Non-latching zone facility	Coincidence (double-knock) facility	Zone test facility	Fault diagnostic facilities	Ancillary connections for system expansion
CFP STANDARD PANELS	✓	✓	✓	✓	✓	✓
CFP ECONOMY PANELS	X	X	X	✓	✓	X
CFP LPCB APPROVED PANELS	✓	X	X	✓	✓	✓

This chart illustrates the different engineering functions available on the CFP range of fire panels

Power Supply Specification

Mains supply voltage	230V 50/60Hz
Mains rated current	350mA maximum
Internal power supply	19V - 28.5V (27V nominal). Ripple 7V maximum (battery fault)
Total output current limited to	1.5A
Supply and battery charger monitored for failure	YES (battery charger is also temperature compensated)
Batteries monitored for disconnection and failure	YES
Batteries protected against deep discharge	YES (Deep discharge cut off approx. 21 volts)
Max. battery size and type	2 x 12V 3.3AHr VRLA (Valve Regulated Lead Acid) connected in series
Mains fuse	240V 1A HRC ceramic 20mm compliant with IEC (EN60127 PT2)
Battery fuse	1.6A F 20mm compliant with IEC (EN60127 PT2)
Current draw from battery (Mains failed)	1.5A maximum

Detector Circuit Specification

	CFP Standard Panels	CFP Economy Panels	CFP LPCB Approved Panels
Number of circuits	2 (CFP702-4 & CFP702-4K) 4 (CFP704-4 & CFP704-4K) 8 (CFP708-4 & CFP708-4K)	2 (CFP702E-4 & CFP702E-4K) 4 (CFP704E-4 & CFP704E-4K) 8 (CFP708E-4 & CFP708E-4K)	2 (CFP702-4/LPC) 4 (CFP704-4/LPC) 8 (CFP708-4/LPC)
Cable type	Fire resistant screened cable, minimum conductor size 1mm ²		
Connector blocks	Plug-on type, largest acceptable conductor size 1.5mm ²		
Max cable length per circuit	500 metres		
Line monitored for open circuit and short circuit	YES		
Line monitored for detector removal	YES - end of line monitoring device modules provided		
Maximum allowable impedance (each conductor)	20W		
Maximum cable capacitance	0.27mF		
Call point resistor value	470 to 680Ω		
Max. number of smoke/heat detectors per zone	25		
Max. combined number of detectors & manual call points	32 per zone		

Sounder Circuit Specification

Number of circuits	4
Cable type	Fire resistant screened cable, minimum conductor size 1mm ²
Connector blocks	Plug-on type, largest acceptable conductor size 1.5mm ²
Max cable length per circuit	500 metres
End of line resistor value	6800 5% Tol. 0.25W (blue, grey, red, gold)
Each circuit monitored for open and short circuit	YES
Alarm voltage	27V maximum, 20V minimum (final battery voltage)
Sounder circuit fuses (one per circuit)	Resettable type (200mA min. hold current; 400mA max. trip current; 50mA when tripped. Reset when faults removed)
Maximum total sounder output current to all outputs	4 x 200mA = 800mA
Maximum No. of bells @ 25mA	32
Maximum No. of electronic sounders @ 20mA	40 (sounders must be polarised)

Auxiliary Outputs

Type	Non monitored open collector transistor
Max. sink current	30mA each
Max. open circuit voltage	27Vd.c
Reset output	Active during reset cycle
Remote output	Active during any unsilenced fire condition (provided all relevant delays have expired)
Auxiliary output	Active during any fire condition (provided all relevant delays have expired)
Fault output	Active when no faults are present - failsafe to open circuit
24V aux power output (for use with the above)	Output protected by a resettable fuse (100mA min. hold current). Resets when fault removed

Auxiliary Inputs

Class Change (makes sounders sound continuously)	Connect to 0V to trigger. Max. input voltage 27V. (Non-latching)
Alert (makes sounders pulse intermittently)	Connect to 0V to trigger. Max. input voltage 27V. (Non-latching)

User & Engineer Controls

General user controls (access level one)	Mute internal sounder; Override delays; Enter access levels																		
Authorised user controls (access level two)	Silence alarm sounders; Activate alarm sounders; Reset the system; Test the lamps; Disable/enable zones Disable/enable fault output; Disable/enable remote output; Disable/enable sounders, Disable/enable auxiliary output; Disable/enable output delays (not available on CFPE).																		
Engineer controls (access level three)	<table border="1"> <thead> <tr> <th>CFP Standard Panels</th> <th>CFP Economy Panels</th> <th>CFP LPCB Approved Panels</th> </tr> </thead> <tbody> <tr> <td>Program coincidence (double knock)</td> <td>Invoke one man walk test</td> <td>Program delays</td> </tr> <tr> <td>Setup zones for non-latching operation</td> <td>Enter fault diagnostic facilities</td> <td>Invoke one man walk test</td> </tr> <tr> <td>Program delays</td> <td></td> <td>Enter fault diagnostic facilities</td> </tr> <tr> <td>Invoke one man walk test</td> <td></td> <td></td> </tr> <tr> <td>Enter fault diagnostic facilities</td> <td></td> <td></td> </tr> </tbody> </table>	CFP Standard Panels	CFP Economy Panels	CFP LPCB Approved Panels	Program coincidence (double knock)	Invoke one man walk test	Program delays	Setup zones for non-latching operation	Enter fault diagnostic facilities	Invoke one man walk test	Program delays		Enter fault diagnostic facilities	Invoke one man walk test			Enter fault diagnostic facilities		
CFP Standard Panels	CFP Economy Panels	CFP LPCB Approved Panels																	
Program coincidence (double knock)	Invoke one man walk test	Program delays																	
Setup zones for non-latching operation	Enter fault diagnostic facilities	Invoke one man walk test																	
Program delays		Enter fault diagnostic facilities																	
Invoke one man walk test																			
Enter fault diagnostic facilities																			

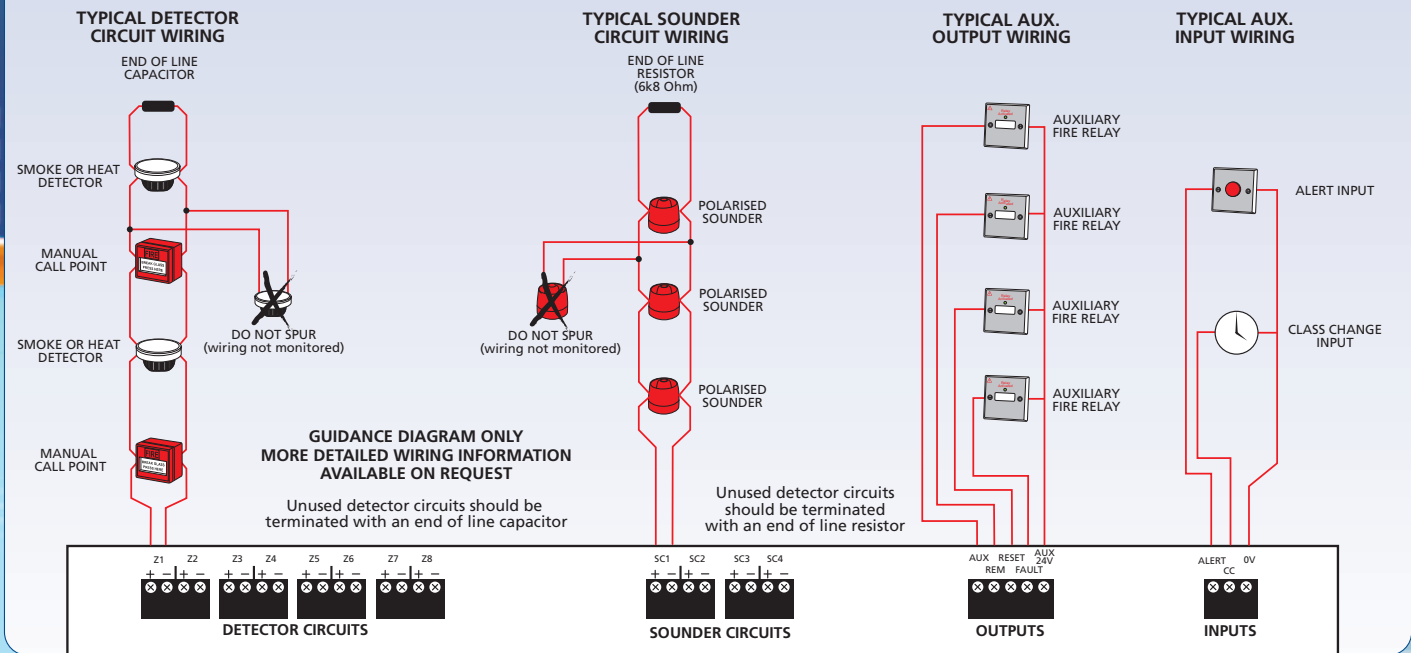
Indicators

External indicators	General fire; Zone fire; Zone fault; Zone disabled; Zone test; Supply present; Remote output activated; Remote output status; Test; Accessed; General disablement; Fault output status; General fault; System fault; Repeater fault (not available on CFPE); System status; Sounder status; Power supply fault; Auxiliary output status; Output delays (not available on CFPE).
Internal indicators	System fault (distinguishes between 'watchdog', 'site memory' and 'phase lock loop' faults); Zone fault (distinguishes between open circuit and short circuit faults); Hazardous voltages present; Repeater fault (indicates which repeaters, if fitted, are faulty - not available on CFPE)

Dimensions

Physical size	Size = 380 x 235 x 96mm approx.
Weight	1.75kg (without batteries)

TYPICAL WIRING



CFP STANDARD EN54 FIRE PANELS & ANCILLARIES

CFP702-4	CFP standard 2 zone panel, code entry version, does not extend
CFP702-4K	CFP standard 2 zone panel, keyswitch version, does not extend
CFP704-4	CFP standard 4 zone panel, code entry version, does not extend
CFP704-4K	CFP standard 4 zone panel, keyswitch version, does not extend
CFP708-4	CFP standard 8 zone panel, code entry version, does not extend
CFP708-4K	CFP standard 8 zone panel, keyswitch version, does not extend
CFP760	CFP 8 zone repeater panel, up to 8 per system, code entry version
CFP760K	CFP 8 zone repeater panel, up to 8 per system, keyswitch version
CFP761	CFP network driver card (one required per repeater system, fit at main)
CFP762	CFP relay output card (provides reset, fault, aux & remote relay outputs)
CFP763	CFP relay output per zone card (as CFP762 plus 8 output per zone relays)

CFP ECONOMY EN54 FIRE PANELS

Include all CFP standard panel features except coincidence, zone delay and non-latching zone facilities. CFP economy panels are not compatible with CFP repeaters or CFP relay output cards

CFP702E-4	CFP economy 2 zone panel, code entry version, does not extend
CFP702E-4K	CFP economy 2 zone panel, keyswitch version, does not extend
CFP704E-4	CFP economy 4 zone panel, code entry version, does not extend
CFP704E-4K	CFP economy 4 zone panel, keyswitch version, does not extend
CFP708E-4	CFP economy 8 zone panel, code entry version, does not extend
CFP708E-4K	CFP economy 8 zone panel, keyswitch version, does not extend

CFP LPCB APPROVED EN54 FIRE PANELS

Include all CFP standard panel features except coincidence & non-latching zone facilities.

CFP702-4/LPC	CFP 2 zone panel, LPCB approved to EN54-2/4, does not extend, code entry
CFP704-4/LPC	CFP 4 zone panel, LPCB approved to EN54-2/4, does not extend, code entry
CFP708-4/LPC	CFP 8 zone panel, LPCB approved to EN54-2/4, does not extend, code entry



LPCB Ref. 176a
to BS EN 54 pts 2 & 4



Solid State Security Limited,
Hartfield House,
54 Chorley Road, Hilldale, Parbold,
Wigan, Lancashire WN8 7AS.
United Kingdom.



+44 (0) 1257 463018

+44 (0) 1257 462038

sales@solidstatesecurity.co.uk

www.solidstatesecurity.co.uk