

# EP RANGE

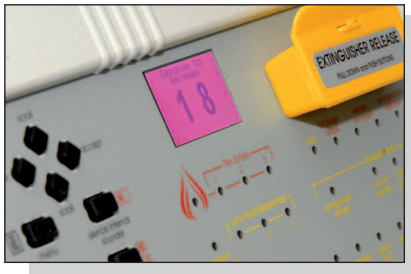
## AUTOMATIC EXTINGUISHER PANEL & ANCILLARIES

Introducing the new EP203 three zone automatic extinguisher panel - specifically designed for areas housing expensive, dangerous or irreplaceable items of equipment.

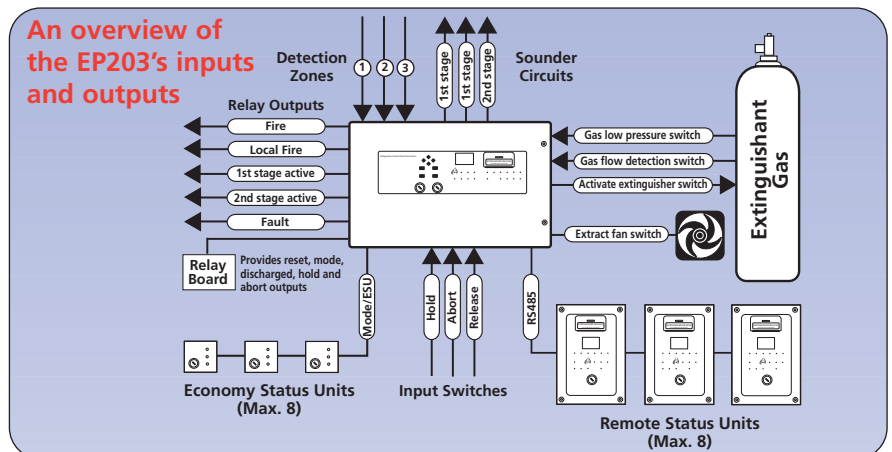
Fully compliant with EN 12094 part 1 (the European standard for Fixed Firefighting Systems - Components for Gas Extinguishing Systems), the panel epitomises quality, durability and reliability.

Key features include a unique 128 x 64 pixel graphical display for ease of programming, six monitored inputs (including hold and abort), a time stamped log, adjustable flood times and volt-free changeover relays for fire, local fire, 1st stage active, 2nd stage active, extractor fan and fault.

The panel is supplied in an elegantly styled, durable enclosure with all of its electronics - apart from its powerful 3A EN54-4 switch mode PSU - mounted on a detachable metal bridge plate for ease of installation.



- Fully compliant with EN 12094 part 1
- Functions as a standard three zone fire panel with additional circuitry for controlling the release of fire-suppressing gas into computer rooms, chemical plants, etc.
- Unique 128 x 64 pixel graphical display facilitates straightforward system programming
- Any combination of activated zones can be programmed to automatically start the panel's extinguishant release sequence
- Pull-down front-panel manual release button and two keyswitches for accessing the panel's functions and toggling between automatic/manual mode
- Three conventional sounder circuits (two x 1st stage, one x 2nd stage)
- Powerful 3A EN54-4 compliant switch mode PSU
- Low quiescent current - less than 40mA on mains fail
- Wide range of monitored inputs and auxiliary outputs (see schematic below)
- Abort and hold inputs allow release sequence to be cancelled or suspended at any time
- Time-stamped event log
- Connections for up to eight remote status units with their own LCDs, manual release and mode (automatic/manual) switches
- Optional relay expansion boards and single gang abort and hold buttons also available



FIR/G/10006

SP203 APPROVED

## EP RANGE AUTOMATIC EXTINGUISHER PANEL & ANCILLARIES SPECIFICATION

### EP RANGE PART NUMBERS & DESCRIPTIONS

EP203	3 zone EP automatic extinguisher panel to EN12094-1
EP212	Output expansion relay board for EP203, provides volt-free changeover relay contacts for reset, mode, discharged, hold & abort
EP210F	Remote status unit, flush mounting, fully-functional c/w Status LCD, manual release & mode (auto/manual) switches, max. 8 x EP210F/S per EP203
EP210S	Remote status unit, surface mounting, fully-functional c/w Status LCD, manual release & mode (auto/manual) switches, max. 8 x EP210F/S per EP203
BF359/1	Weatherproof enclosure, IP66, steel, non-locking (for EP210F/S)
EP211	Economy status unit, single gang c/w keyswitch operated mode (auto/manual) switch and Status LEDs, max. 8 per EP203
EP214	System line terminator, for terminating the EP203's extinguishant release output to a gas release solenoid, max. 2 per EP203
EP215	System hold off button, single gang
EP216	System abort button, single gang
BF372	Yellow extinguishant release call point, surface mounting
BC286/2	24V 7.0 A Hr VRLA battery pack (2 x 12V including link wire)

### EP203 POWER SUPPLY SPECIFICATION

Mains supply voltage	230Vac, 50/60Hz
Internal power supply	24Vdc nominal
Max. output current	3A@230Vac
Power rating (including charging)	1.5A cont., 3A peak
Battery type	2 x 12Vdc, 7Ahr VRLA type, connected in series
Battery charge current	0.7A
Earth fault monitoring	YES
Mains supply/battery charger monitored for failure	YES
Batteries monitored for disconnection and failure	YES
Quiescent current drain on mains fail	40mA approx.

### EP203 DETECTOR CIRCUIT SPECIFICATION

Number of conventional detector circuits	3 @ 21-28Vdc
Line monitored for open and short circuit faults	YES
Max. cable length per circuit	250m
Max. no. of smoke/heat detectors per circuit	20
Max. combined no. of detectors & manual call points per circuit	32
Zone quiescent current	2mA max.
End-of-line resistor value	6K8 ohm $\pm$ 5%, 0.25W

### EP203 SOUNDER CIRCUIT SPECIFICATION

No. of conventional circuits	3 (two x 1st stage, one x 2nd stage)
Line monitored for open and short circuit faults	YES
Sounder outputs rating	21-28Vdc, fused @200mA per circuit
Max. sounder cable length per circuit	50m
Max. number of polarised sounders per circuit	10 @ 20mA each
End-of-line resistor value	6K8 ohm $\pm$ 5%, 0.25W

### EP203 AUXILIARY OUTPUTS

No. of auxiliary outputs *	6 (Fire, Local Fire, Extract Fan, 1st Stage, 2nd Stage, Fault)
Relay contact rating	30Vdc, 1A max.

\* Note that 5 additional relay outputs (Reset, Mode Switch, Discharged, Hold, Abort) are available on the EP212 relay output expansion card

### EP203 EXTINGUISHANT RELEASE OUTPUTS

Extinguishant release output	21-28Vdc, rated at 1A for 5mins.
Extinguishant release time delay	Adjustable 0-60 seconds (1 second steps)
Extinguishant release duration	Adjustable 1-300 seconds (1 second steps)
Extinguishant release flooding time	Adjustable 60-1800 seconds (1 second steps)
Extinguishant output end-of-line	"Terminator" circuitry EOL (Part No. EP214)

### EP203 MONITORED INPUTS

No. of monitored inputs	6 (Manual Release, Flow Switch, Low Pressure, Mode, Hold, Abort)
Thresholds	8k to 2k ohms (normal); 1.8k to 200 ohms (active), 150 to 0 ohms (short circuit)
End-of-line resistor value	6K8 $\pm$ 5%, 0.25W

### EP203 CONTROLS & INDICATORS

Status Display Unit	128 x 64 pixel graphic LCD unit, two-colour backlight
LCD 'Access Level 1' Menus:	• Display Faults • Display Disablements • Lamp Test • Alarm Counter
LCD 'Access Level 2' Menus:	• Display Faults • Display Disablements • Zones in Test • Lamp Test • Alarm Counter • Set Time/Date • Event Log • Display Contrast • Disablements
LCD 'Access Level 3' Menus:	• Display Faults • Display Disablements • Zones in Test • Display RSUs • Disablements • Commissioning • Engineering
Controls (2 x keyswitches)	• Accessed • Manual Only or Manual & Automatic
Controls (push buttons)	• Menu • Silence Internal Sounder • Control Panel Reset • Silence/Resound Sounders • Scroll up • Scroll down • Escape • Accept • Extinguisher Release (housed in yellow casing).
Indicators (LEDs)	• General Fire • Fire Zones (x3) • General Disablement • Zone Fault/Disable/Test (x3) • Hold • First Stage Output • Release Imminent (x2) • Extinguishant Released • Abort • Disablements (Extinguishant Release, Manual Release, First Stage Output, Second Stage Output, Sounder) • Manual Only • Manual & Automatic • Supply Present • PSU Fault • Accessed • Test • General Fault • System Fault • Delays • Sounder Fault • Flooding Zone Fault • Low Press Fault.
Internal control (push button)	Access Level 3 Switch (located on Main Control PCB)

### EP203 DIMENSIONS (W x H x D)

Dimensions	Back box = 439mm x 276mm x 70mm approx. (metal); Lid = 467mm x 293mm x 29mm approx. (plastic)
------------	---

### RSU REMOTE STATUS UNITS (EP210S / EP210F) - max 8 per EP203

Connection	2-wire RS485 + 2 wire power
Dimensions	EP210S surface = 160mm x 240mm x 51mm approx. (metal); EP210F flush = 175mm x 250mm x 53mm approx (metal)

### ESU ECONOMY STATUS UNIT (EP211) - max 8 per EP203

Connection	2-wire + 2 wire mode select
Dimensions	87mm x 87mm x 35mm approx. (plastic)